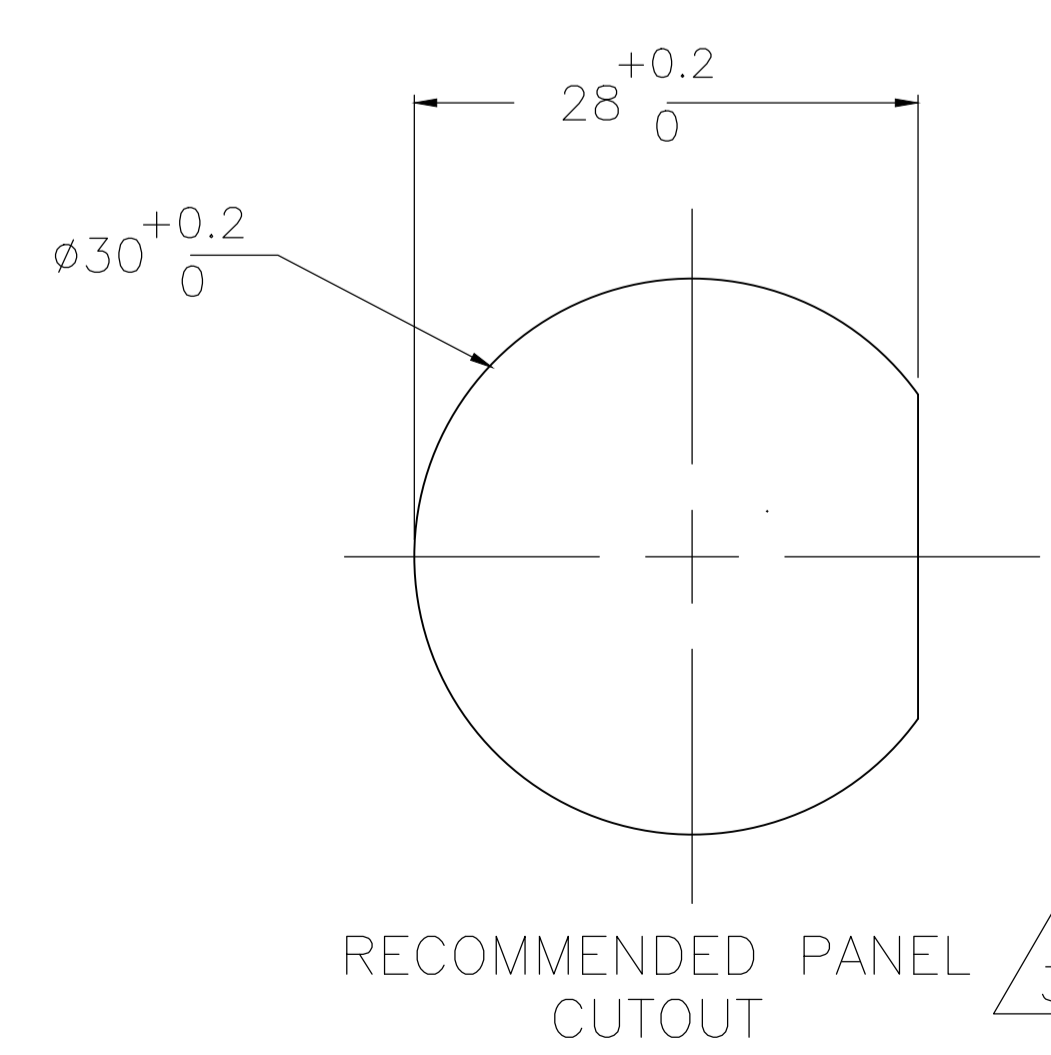
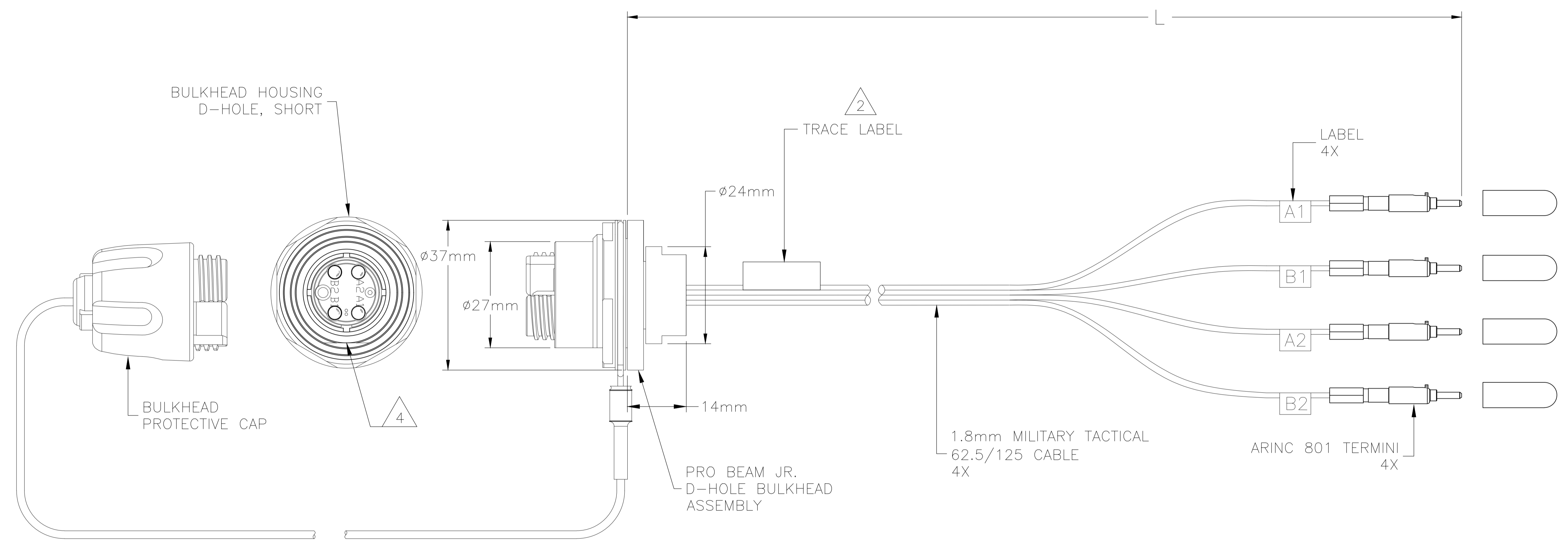


REVISIONS					
P	LTR	DESCRIPTION	DATE	DMN	APVD
6		ECR-18-000233	10JAN18	KG	DW

1. MAXIMUM CONNECTOR INSERTION LOSS:  
1.5 dB PRO BEAM JR. END (850nm)  
0.4 dB LuxCis END (850nm)

△ 5 PANEL SHOULD BE BETWEEN 1mm AND 4mm THICKNESS.

- △ 2 SEE TRACE LABEL DETAIL.
- △ 3 RECEPTACLE IS DESIGNED FOR REAR MOUNT.
- △ 4 FLAT ON BULKHEAD HOUSING WILL BE LOCATED ON A1,B1 SIDE OF INSERT.



XXXXXXXXXXXXXXXXXX } CUSTOMER P/N  
6918413-X } TE TRACE NO.  
 } TE P/N

TRACE LABEL DETAIL △ 2

PRO BEAM JR. POSITION	ARINC 801 LABEL
A1	A1
B1	B1
A2	A2
B2	B2

FIBER PATH CHART

DESIGN APPROVED THIS PRINT IS  
**PRELIMINARY**  
TO FIRST PIECE APPROVAL CONTACT PRODUCT ENGINEERING BEFORE USING THIS PRINT

6.00±.25	6918413-1
L	PART NUMBER

THIS DRAWING IS A CONTROLLED DOCUMENT.		DIN K GLATFELTER 11APR2006	
DIMENSIONS: FEET		CHK SHIPD 01MAY2006	
TOLERANCES UNLESS OTHERWISE SPECIFIED:		APVD TO BAECHTLE 01MAY2006	<b>PRELIMINARY</b>
0 PLC	± -	NAME	
1 PLC	± -	PRODUCT SPEC	
2 PLC	± -	APPLICATION SPEC	
3 PLC	± -	SIZE	SCALE
4 PLC	± -	WEIGHT	SHEET
ANGLES	± -	CUSTOMER DRAWING	REV
MATERIAL	FINISH	000779	1 OF 1
		6918413	6